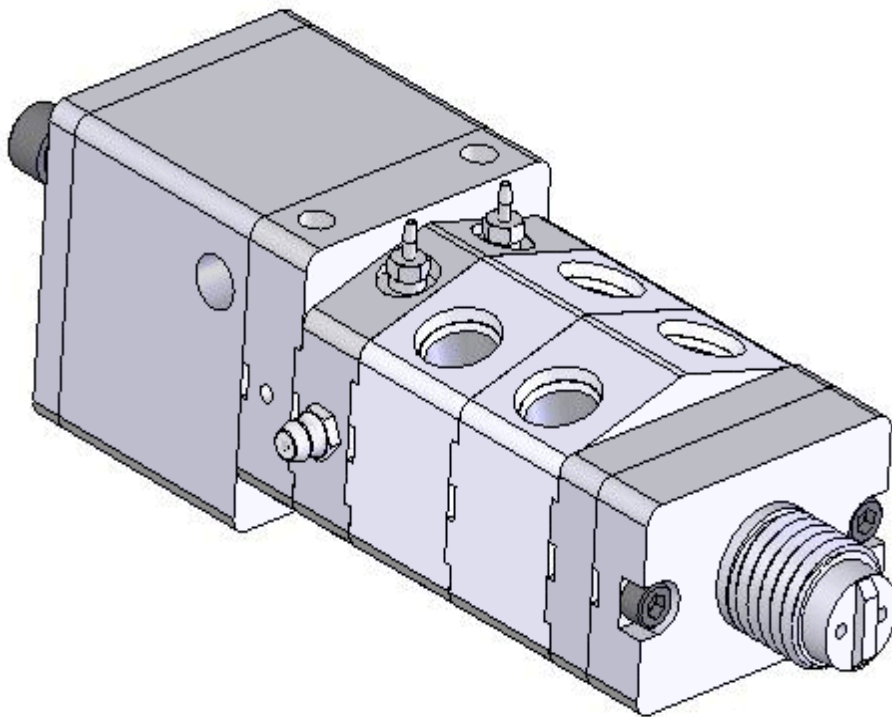




**ADHESIVE SYSTEMS
TECHNOLOGY CORP**

METER-MIX DISPENSE EQUIPMENT

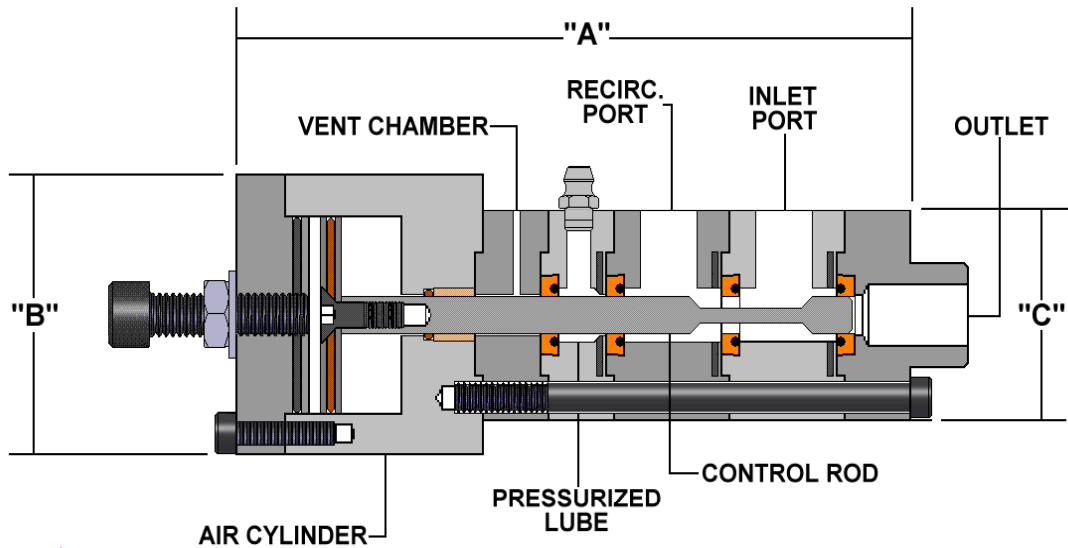
AUTOMATIC CIRCULATING SNUFF-BACK DISPENSE VALVE



FEATURES AND BENEFITS

- Reliable, simple rugged valve
- No-drip reverse seating valve
- Pressure lube pack for longer seal life
- Pneumatic operated/ air to open/close
- Quick, easy fixture mounted and/or hand-held
- Adjustable snuff-back
- 1 cps to 300,000 cps materials
- Stainless steel optional
- Simple-modular design
- Circulation of material

VALVE CROSS-SECTION



VALVE TECHNICAL DATA

DESCRIPTION	55585	55658	55680	55689
INLET PORT	½" NPT F	¼" NPT F	1/8" NPT F	9/16" - 18 SAE
OUTLET PORT	½" NPT F	¼" NPT F	1/8" NPT F	7/8" - 9 MIXER BELL MOUNT
RE-CIRC. PORT	½" NPT F	¼" NPT F	1/8" NPT F	9/16" - 18 SAE
ROD DIAMETER	½"	¼"	3/16"	¼"
WORKING PRESSURE	2,500 PSI	2,500 PSI	2,500 PSI	2,500 PSI
SEALS/ O-RINGS	URETHANE, UHMW, EPDM, VITON, BUNA, & SILICONE			
A	10-1/8"	6-13/16"	4-3/8"	8-3/8"
B	2-½" DIA.	2" DIA.	1-3/8" DIA.	2 - 2-¼" DIA.
C	2" DIA.	1-½" DIA.	1-½" DIA.	1-½" - 2-¼"

ADHESIVE SYSTEMS TECHNOLOGY CORP.
9000 Science Center Drive, New Hope, MN 55428
Phone: 763-592-2060 • Fax: 763-592-2075
www.ast-corp.net • ast@ast-corp.net