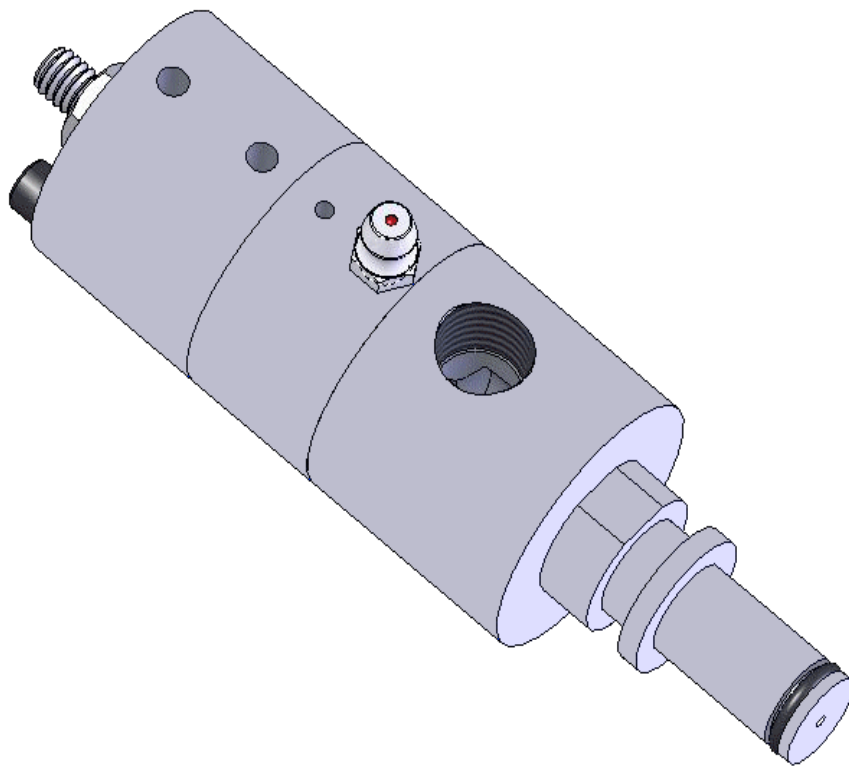


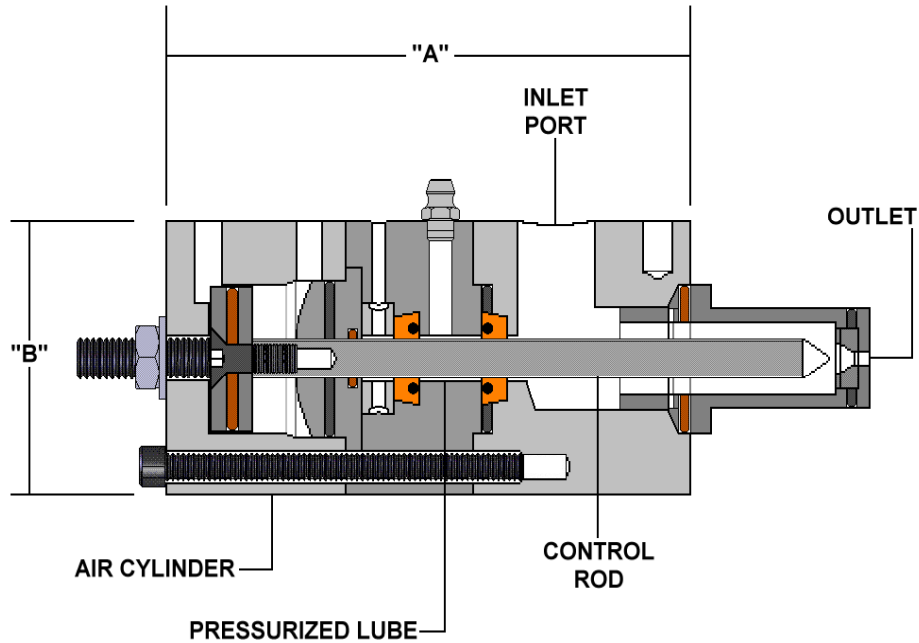
AUTOMATIC STRAIGHT SHUT-OFF DISPENSE VALVE



FEATURES AND BENEFITS

- Reliable, simple rugged valve
- No-drip straight needle seating valve
- Pressure lube pack for longer seal life
- Pneumatic operated/ air to open/close
- Quick, easy fixture mounted and/or hand-held
- Extended tip
- 1 cps to 100,000 cps materials
- Stainless steel optional
- Simple-modular design
- Adjustable stroke

VALVE CROSS-SECTION



VALVE TECHNICAL DATA

DESCRIPTION	55655	55847
INLET PORT	¼" NPT F	XXXXXXXX
OUTLET PORT	½" NPT F	XXXXXXXX
ROD DIAMETER	3/16"	XXXXXXXX
WORKING PRESSURE	2,500 psi	XXXXXXXX
SEALS/ O-RINGS	Teflon (tensionable), UHMW, Viton, EPDM, Buna, Silicone	
A	4-½"	XXXXXXXX
B	1-3/8" DIA.	XXXXXXXX

ADHESIVE SYSTEMS TECHNOLOGY CORP.
9000 Science Center Drive, New Hope, MN 55428
Phone: 763-592-2060 • Fax: 763-592-2075
www.ast-corp.net • ast@ast-corp.net