



**ADHESIVE SYSTEMS
TECHNOLOGY CORP**

METER-MIX DISPENSE EQUIPMENT

METERING & DISPENSING EQUIPMENT FOR THE PROFESSIONAL CONTRACTOR

PCH GMP-050 "PRO"



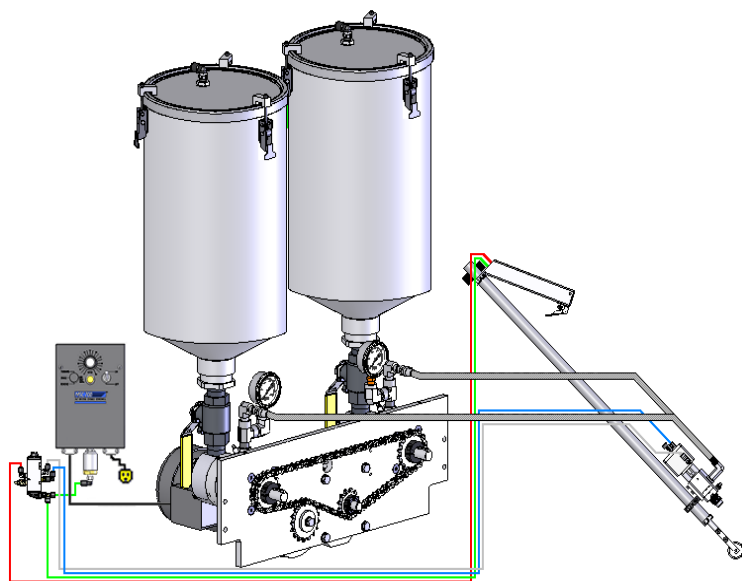
APPLICATIONS

- **Joint Filling**
- **Concrete Restoration**
- **Small Joint Sealing**
- **Small Spall Repair**
- **Anchoring**
- **Spray**

FEATURES AND BENEFITS

- **Portable, Reliable, Rugged Design**
- **Easy to Operate & Maintain**
- **Stainless Steel Construction**
- **Changeable Ratios**
- **9 Gallon Stainless Steel Tanks**
- **½ HP DC Drive Motor**
- **Automatic or Manual Dispense Valve**
- **Electric/pneumatic Powered**
- **Backed by AST Warranty**
- **Pumps Non-Abrasive Materials**
- **Fixed Ratios of 1:1 to 4:1**
- **Continuous Flow Up to 0.5 GPM**
- **Fluid Pressures Up to 750 PSI**
- **Viscosities Up to 5,000 CPS**
- **Variable Flow Rate**
- **Uses AST GMP Metering Pumps**

PRODUCT SPECIFICATIONS



Applications for the GMP-050 using non-abrasive polyureas, epoxies and urethanes include:

- Small Joint Sealing
- Small Spall Repair
- Anchoring
- Joint Filling
- Concrete Restoration
- Spray

MODEL	PCH GMP-050	AIR DRYER	Desiccant cartridge
MACHINE TYPE	Fixed ratio/metering/ dispensing GMP gear	GAUGES	(2) glycerin filled 600 psi
CONTINUOUS OUTPUT	Up to 0.75 gallons per minute	STANDARD CONTROLS	On/Off; variable speed
RATIO RANGE	1:1 to 4:1	SERVICES REQUIRED	120 V. / 15 AH, 5 AMP 90 psi, 2 cfm
VISCOSITY RANGE	100 CPS to 7,500 CPS	APPLICATORS	AST hand held; manual or automatic dual port manifold
CONTAINERS	9 gallons each side, stainless steel, 16 gauge	MIXER	Disposable, plastic, motionless
MOTOR	.5 HP D, 90 volt	HOSES	Teflon core braided stainless steel 3/8" x 15'
METERING PUMPS	(2) heavy duty AST GMP gearotor™	OPTIONS	Heated tanks Power inverter Generator mount Air purge Factory installed aspirator Spray assembly
DIMENSIONS	36" L x 30" W x 40" H 200 lbs. empty, shipping weight 250 lbs.		
FRAME	1½ powder coated tubular steel		

ADHESIVE SYSTEMS TECHNOLOGY CORP.
9000 Science Center Drive, New Hope, MN 55428
Phone: 763-592-2060 • Fax: 763-592-2075
www.ast-corp.net • ast@ast-corp.net